

PLS-SERIES

Power Line Surge Suppressors

Cable Innovations' PLS series of power line surge suppressors reduces outages and customer complaints by eliminating breaker outages, blown fuses in power supplies, and damage to power supplies due to voltage transients, surges, spikes and lightning. The PLS-125Z, 220Z and 225Z are each wired into the breaker panel. The PLS-125P is designed for ease of installation, and may be plugged into a 110 volt outlet inside the power supply enclosure.

The NEW PLS-125P will fit in the smallest places



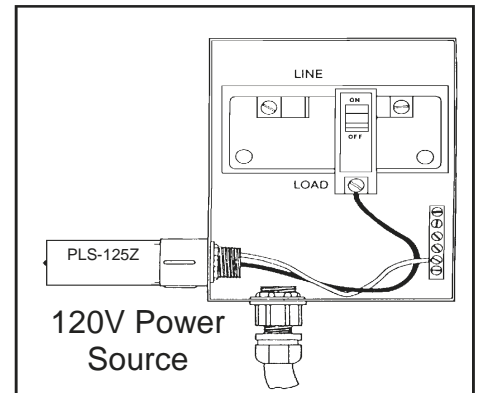
Currently Available Models

MODELS	PLS-125Z	PLS-220Z	PLS-225Z	PLS-125P
Line Voltage	120 VAC	220 VAC	Dual 120 VAC	125VAC
Peak Current (8/20 ms)	80,000 Amps	80,000 Amps	80,000 Amps*	36,000 Amps
Response Times	<1 nanosecond	<1 nanosecond	<1 nanosecond	<1 nanosecond
Frequency	50,60,400 HZ	50,60,400 HZ	50,60,400 HZ	50,60,400 HZ
Maximum Clamp Voltage	340 VAC	650 VAC	340 VAC	330 VAC
Energy (10/1000ms)	1120 Joules	2200 Joules	1120 Joules**	540 Joules
Maximum Leakage Current	<1.0 mA	<1.0 mA	<1.0 mA	<1.0 mA
Operating Temp. Range	-40 to 140 °F	-40 to 140 °F	-40 to 140 °F	-40 to 140 °F
Capacitance	15200 pF	7880 pF	15200 pF	11820 pF
Wiring	14 awg 18" Long	14 awg 18" Long	14 awg 18" Long	Plug in
Protection	L-N	L-N	L-N-L	L-G-N

**Total for circuit

FEATURES:

- Greater current handling capacity
- On Line LED Indicator
- Shock Proof Case
- No Maintenance UL-94rated case
- May be installed inside power supply



CABLE

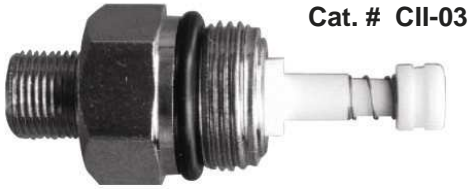
INNOVATIONS

ISO 9001*

Two (2) Year Warranty

4737 Hwy 332 Suite 21 Hoschton, GA 30548
 800-952-5146 Fax 770-962-6133
 www.cableinnovations.com

Specifications subject to change without notice.
 *The PLS Series is manufactured in an ISO9001 facility.



Cat. # CII-03

CII-03

By-Pass Connector AC/RF MONITOR / BYPASS ADAPTOR

- Shield Effectiveness –100 dB Minimum
- AC current capacity: 5 Amps @ 90 volts
- Robust center contact for reliable contact
- O-rings provide weather resistance
- 2 piece touch pin design for low insertion loss
- Spring design has high extension and low resistance to avoid breaking
- Nickel Plating
- Contact resistance <5m Ohms
- Surface nickel plating
- ISO 9001*
- Two (2) Year Warranty



Cat. # DCB-220

DCB-220

Drop Line Voltage Block

APPLICATIONS:

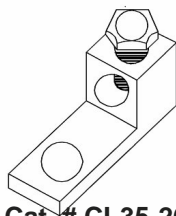
Stop voltage on the drop.
Stop voltage to input of test equipment.
Use with CII-03 RF monitor

- Bandwidth: 5~2150 MHz.
- Blocks AC voltage to 220 volts
- Holding force >50 Kg
- Return Loss: -20 dB 5-1000 MHz. -18 dB 1000-2150 MHz
- Female to Male "F" fittings
- Blocks DC voltage to 1000 volts
- Twisted force >50 Kg
- Insertion Loss: 0.2 dB 5-1000 MHz 0.4 dB 1000-2300 MHz
- Operating Temperature: - 40°-70 C°
- Two (2) Year Warranty
- Bright nickel plated brass housing.
- ISO 9001

ALUMINUM GROUNDING LUG

APPLICATION:

Improves grounding by grounding to the pole vertical. Ground any trunk passives including taps, DCs and splitters.

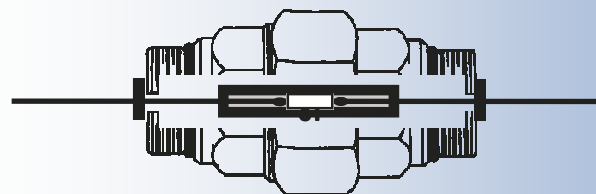


Cat. # CI-35-265

KSKSM-VBC

Voltage Blocking Capacitor

The **KSKSM-VBC** fits housing to housing adaptors and blocks current through the adaptor while allowing RF to pass. The adaptor gives the ability to block power in one direction when using the CLPS-3009PI power inserter/surge suppressor and CLPS-3009 surge suppressor.



ADDITIONAL SPECIFICATIONS AND INFORMATION AVAILABLE AT WWW.CABLEINNOVATIONS.COM

CABLE[®]

I N N O V A T I O N S

4737 Hwy 332 Suite 21 Hoschton, GA 30548
800-952-5146 Fax 770-962-6133
www.cableinnovations.com