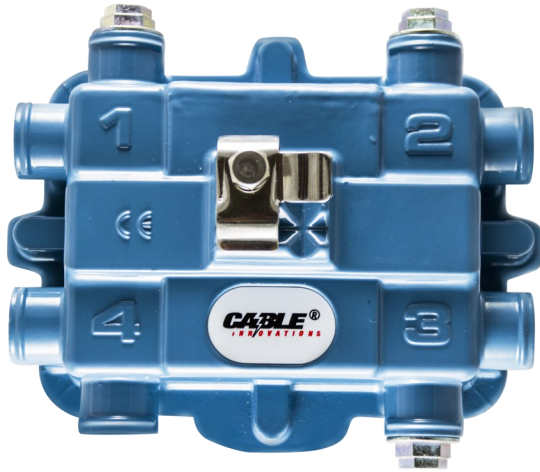


“...the toughest power inserter/surge suppressor ever built.”



CLPS-SERIES SURGE SUPPRESSOR Power Inserter

Developed and patented by Cable Innovations, the CLPS Power Inserter series combines the latest surge suppression technology (Sidactor®) with Cable Innovations' patented design to create the toughest power inserter/surge suppressor ever built. Combining this surge suppression design with the superior specifications of a power inserter makes the CLPS PI series unequaled in the industry.



SOLID STATE
SURGE SUPPRESSION

Currently Available Models

MODEL #	CLPS-6009PI	CLPS-5009PI	CLPS-8009PI	CLPS-1800PI
Description	Power Inserter w/Surge Suppression	Power Inserter w/Surge Suppression	Power Inserter w/Surge Suppression	Power Inserter w/Surge Suppression
Surge Protection	5000 Amps 8 X 20 μ s ³	5000 Amps 8 X 20 μ s	5000 Amps 8 X 20 μ s ³	5000 Amps 8 X 20 μ s ³
Power Rating	30 Amps. AC, 60/90 Volts, 60 Hz	25 Amps. AC, 60/90 Volts, 60 Hz	30 Amps. AC, 60/90 Volts, 60 Hz	30 Amps. AC, 60/90 Volts, 60 Hz
Power Selectable	Yes ¹	No	Yes ^{1,2}	Yes ^{1,2}
Switching Voltage	155V Peak Min. 220V Peak	220V Peak Min. 300V Peak	220V Peak Min. 300V Peak	220V Peak Min. 300V Peak
Response Time	Less than 1 nanosecond	Less than 1 nanosecond	Less than 1 nanosecond	Less than 1 nanosecond

¹ The CLPS-6009PI and CLPS8009PI allow for the interruption of power on each signal port without sacrificing protection.

² CLPS-8009PI power selection without interrupting power or RF

³ Each port.

FEATURES

- **Sidactor® Device** The CLPS-power inserter series incorporates the newest solid state Sidactor technology. Eliminating the need for SCR type surge suppressors.
- **Overvoltages Taken off Center Conductor** Overvoltages go directly to ground from the center conductor before damage can occur to trunk or feeder electronics.
- **Superior Grounding** The CLPS-power inserter series grounds from a clamp (located on the bottom of case) using a No. 6 ground wire to make a sweeping bend to pole vertical. Grounding to the strand (the method used by “kits”) should not be attempted because the overvoltage may be induced back onto the center conductor defeating the purpose of the device.
- **High Current Handling**
- **Surge Testing ANSI C-62.41 (IEEE 587)**
- **ISO 9001** The CLPS PI Series is manufactured in an ISO9001 facility .
- **Two (2) Year Warranty**
- **100% Voltage tested** Each unit is individually tested for voltage continuity before it leaves our plant.

Specifications subject to change without notice.



4737 Hwy 332 Suite 21
Hoschton, GA 30548
770-962-5146



The CLPS Power Inserter series protects trunk line electronics by utilizing Sidactor technology. A Sidactor is a solid state crowbar device designed to protect equipment during hazardous transient conditions. In the standby mode the Sidactor appears transparent to the circuits it protects, but upon application of a breakover voltage exceeding 135V for the 6009PI, and 220V for the CLPS-5009PI and 8009PI the Sidactor will crowbar and simulate a short circuit condition which will divert the overvoltages to ground. Once clear of the high transient condition the Sidactor will reset and return to its normal high off-state impedance.

CLPS-6009PI Typical Performance

Frequency (Mhz)	5-9	10-54	55-550	551-870	871-1000	1000-1218
Insertion loss (<) dB	0.6	0.4	0.4	0.6	0.7	1.1
Return loss (>) dB	25	27	22	22	22	19
Isolation (>) dB	85	85	75	65	65	60
EMI shielding (>) dB	110	110	110	110	110	110
Hum modulation @ 15 Amps/90V (>) dB	55	60	60	60	60	55

CLPS-5009PI Typical Performance

Frequency (Mhz)	5-9	10-54	55-550	551-870	871-1000	1000-1218
Insertion loss (<) dB	0.2	0.2	0.5	0.5	0.6	0.7
Return loss (>) dB	16	29	30	30	27	26
Isolation (>) dB	84	84	84	84	66	59
EMI shielding (>) dB	110	110	110	110	110	110
Hum modulation @ 15 Amps/90V (>) dB	73	71	71	71	71	71

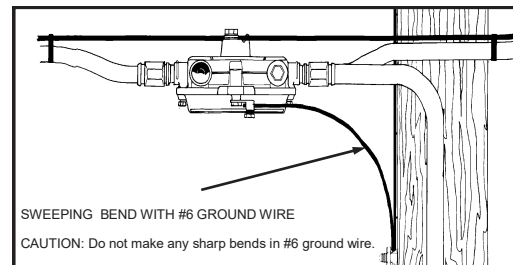
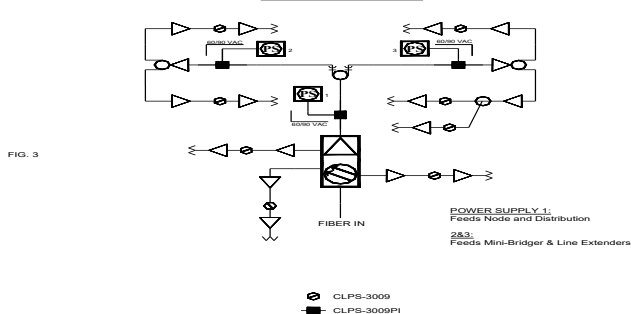
CLPS-8009PI Typical Performance

Frequency (Mhz)	5-9	10-54	55-550	551-870	871-1000	1000-1218
Insertion loss (<) dB	0.8	0.7	0.7	0.8	1.0	1.4
Return loss (>) dB	23	25	29	24	25	19
Isolation (>) dB	90	87	87	87	87	66
EMI shielding (>) dB	110	110	110	110	110	110
Hum modulation @ 15 Amps/90V (>) dB	73	71	71	71	71	69

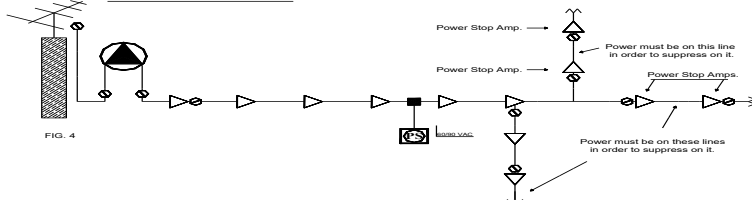
CLPS-18009PI Typical Performance

Frequency (Mhz)	5-7	8-400	401-870	871-1000	1001-1218	1219-1825
Insertion loss (<) dB	0.5	0.5	0.5	0.6	0.9	1.2
Return loss (>) dB	15	20	20	20	17	16
Isolation (>) dB	65	70	70	70	60	50
EMI shielding (>) dB	105	110	110	110	110	110
Hum modulation @ 15 Amps/90V (>) dB	70	60	70	70	70	70

Fiber Installation



Coaxial Installation



CABLE INNOVATIONS
4737 Hwy 332, Suite 21
Hoschton, GA 30548
770-962-5146
www.cableinnovations.com