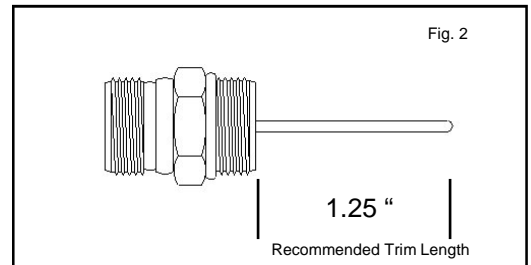
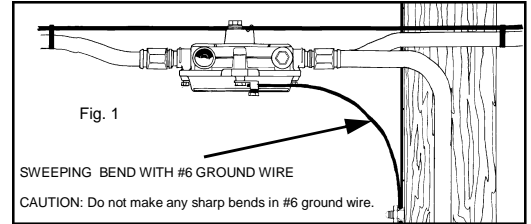


WHERE TO INSTALL

- Install the CLPS-3009PI at 60/90 volt power supply locations.
- Install the CLPS-3009 at each end of AC powering at the power stop amps. See Fig. 4 on back. **NOTE:** Power should be on the trunk lines between the power stop amps, in order to suppress overvoltages in that section of the trunk line. Therefore, one or the power stop amps must pass power.
- Install the CLPS-3009 at the bridger output of the amplifier and at the last line extender. See Fig. 4 on back. **NOTE:** Power should go to the end of the feeder lines, in order to have protection for passives at the end of the line.
- Install the CLPS-3009 at the fiber node output junctions. (Fig. 3)

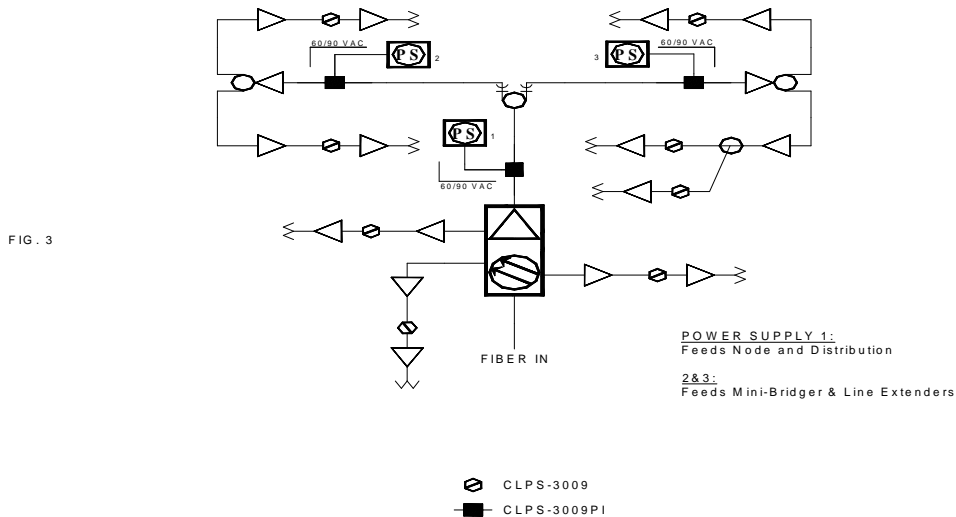
HOW TO INSTALL

- Install all cable connectors as prescribed by the connector manufacturer.
- Be sure that the center conductor is cut and trimmed to the proper length. (Fig 2)
- The recommended torque of the connector to the housing is 30 to 40 inch pounds.
- The connector should be installed and torqued before the seizure screw is tightened.
- The seizure screw should be torqued 14 to 17 inch pounds to the connector pin . **Note:** Failure to properly tighten the seizure screw may cause damage to the unit from arcing during high overvoltage conditions.
- Check the port plugs on the top housing, the recommended torque is 30 to 40 inch pounds.
- Install the bottom housing into the Cable Innovations top housing and tighten the four bolts to a torque of 50 to 60 inch pounds.
- Attach # 6 ground wire to the CLPS ground lug. Then attach the #6 ground wire to the pole vertical ground wire with a split bolt. If there is no pole vertical ground, run #6 ground wire to an 8 ft ground rod. **Do not ground to strand.** (Fig 1)
- Do not interchange covers with other manufacturers' power inserters.



NOTE: UP to 5000 amps may be drawn through the CLPS during an overvoltage condition. It is very important that all connections be secure and that the unit is grounded properly.

Fiber Installation



Coaxial Installation

